

WD35 Series Window Defroster Kit

Installation/ Operation Manual

C1421M-B (8/98)

1.0 WARNINGS

Prior to installation and use of this product, the following WARNINGS should be observed.

1. Installation and servicing should only be done by qualified service personnel and conform to all local codes.
2. Only use replacement parts recommended by Pelco.

Please thoroughly familiarize yourself with the information in this manual prior to installation and operation.

Unpack and inspect all parts carefully.

The following items are supplied:

- 1 Window defroster
- 1 C1421M-B Installation/Operation Manual

Be sure to save the shipping carton and any inserts. They are the safest materials in which to make future shipments.

If an item appears to have been damaged in shipment, replace it properly in its carton and contact the factory at 1-800-289-9100 or 1-559-292-1981 for a replacement. (International customers fax 1-559-348-1120 for authorization and instructions.)

If an item needs to be returned to the factory for repair, consult the WARRANTY AND RETURN section of this manual for instructions.

1.1 UNPACKING INSTRUCTIONS

1.2 RECOMMENDED TOOLS

Pelco does not supply basic tools needed for the installation process. The following tools are recommended:

Phillips screwdriver
Flat screwdriver

2.0 DESCRIPTION

The WD35 Series Defroster Kits are continuous duty defroster kits for use with the EH3500 Series Enclosures.

2.1 MODELS

WD35-1	Window defroster kit, 120 VAC, 3 watts
WD35-2	Window defroster kit, 24 VAC, 3 watts
WD35-3	Window defroster kit, 230 VAC, 3 watts

2.2 CERTIFICATIONS

The products identified below have been tested and certified for agency compliance as noted.

Model	Agency Compliance Certification			
	CE	FCC	UL	CSA/cUL
WD35-2	X			
WD35-3	X			

3.0 INSTALLATION

To install the WD35 Series Window Defroster Kit, perform the following steps (see Figure 1):

1. Disconnect the enclosure from all sources of power and open the enclosure lid.
2. Remove the camera and sled.
3. Loosen the screws in the bottom window bracket.
4. Remove the top window bracket.
5. Position the window defroster with the metal plate against the inside face of the window. Make sure the defroster wires are in the lower left corner of the window.
6. Reinstall the top window bracket.
7. Tighten the bottom window bracket screws.
8. Route the defroster wires between the track rail and the body of the enclosure. Attach the window defroster wires to the PCB terminal locations as shown in Figure 2. Make sure the window defroster wires are not obstructing any other accessories within the enclosure.
9. Reinstall the camera and sled.
10. Close the enclosure lid and reconnect power to the enclosure.

NOTE: *Window defrosters manufactured after July 1998 have a metal plate affixed to the defroster.*

NOTE: *When a window defroster and blower are both used, the two accessories will share the same terminal locations on the PCB.*

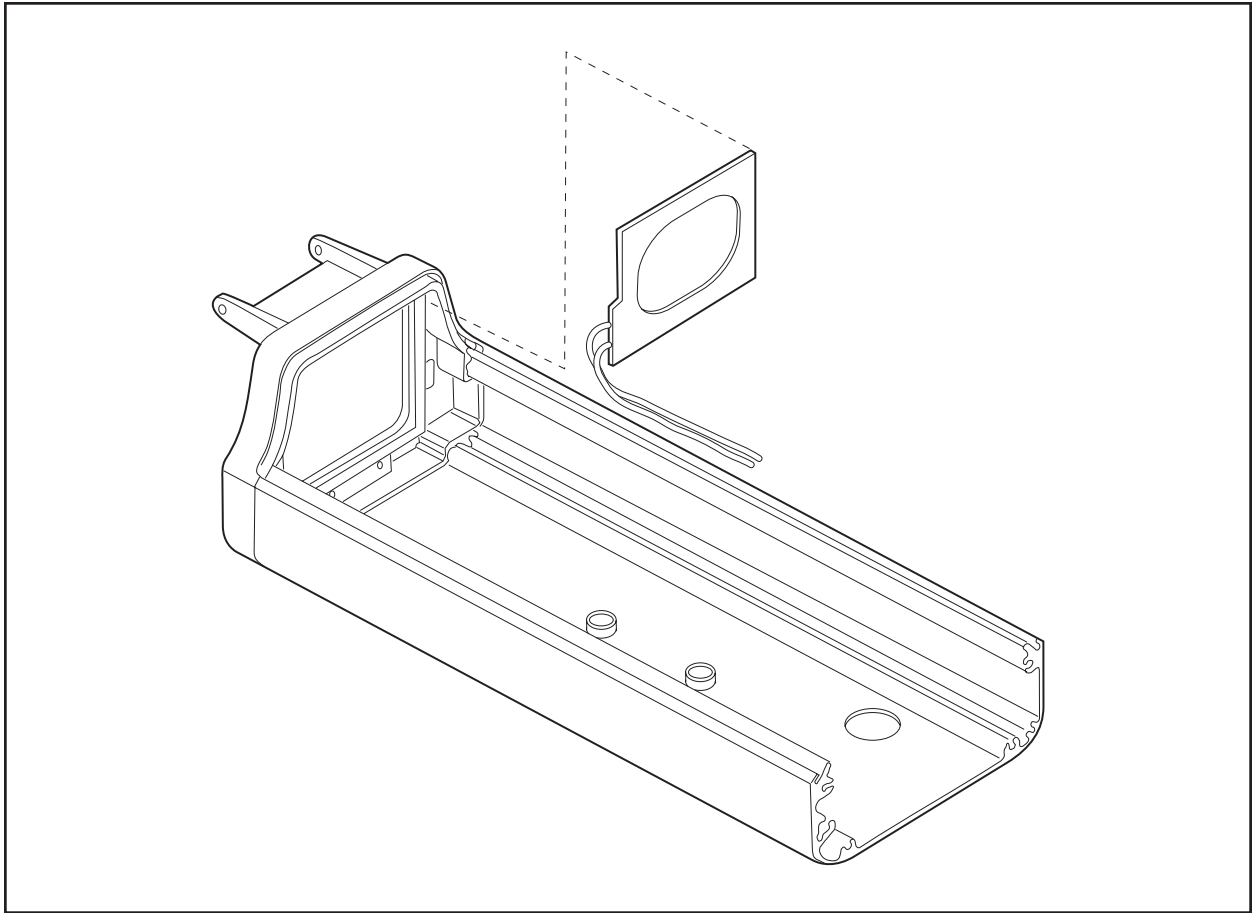


Figure 1. WD35 Series Window Defroster Installation

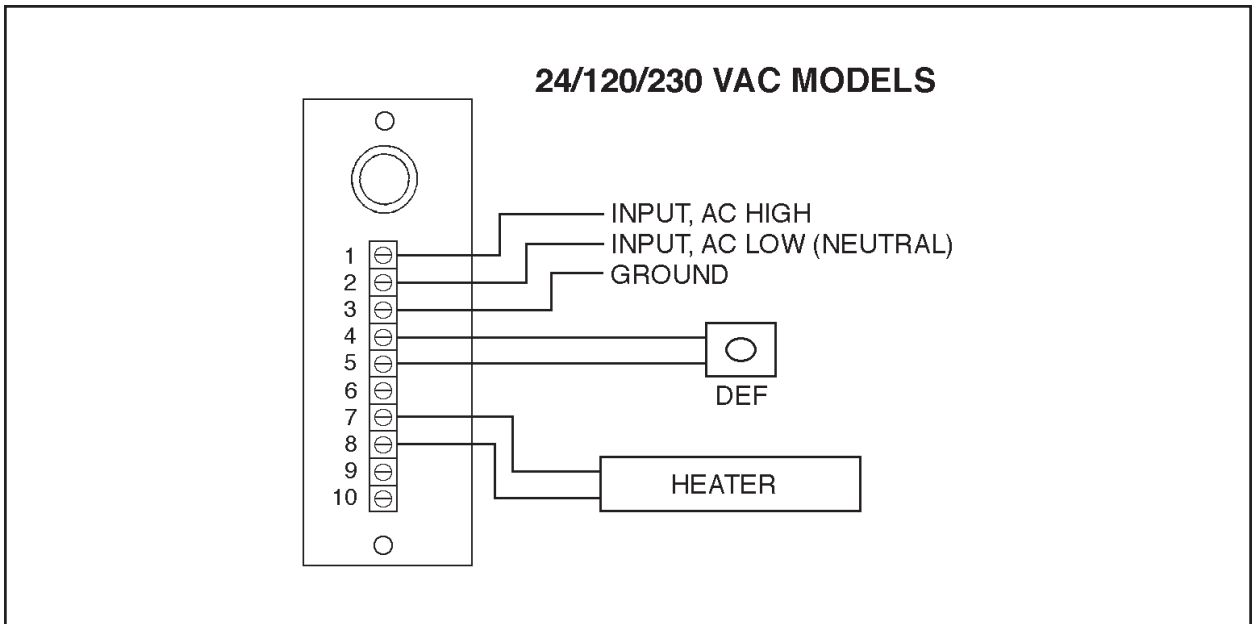


Figure 2. WD35 Series Window Defroster Wiring Diagram

4.0 WARRANTY AND RETURN INFORMATION

WARRANTY

Pelco will repair or replace, without charge, any merchandise proved defective in material or workmanship for a period of one year after the date of shipment.

Exceptions to this warranty are as noted below:

- Five years on FT/FR8000 Series fiber optic products.
- Three years on Genex[®] Series products (multiplexers, server, and keyboard).
- Three years on Camclosure[®] and fixed camera models, except the CC3701H-2, CC3701H-2X, CC3751H-2, CC3651H-2X, MC3651H-2, and MC3651H-2X camera models, which have a five-year warranty.
- Two years on standard motorized or fixed focal length lenses.
- Two years on Legacy[®], CM6700/CM6800/CM9700 Series matrix, and DF5/DF8 Series fixed dome products.
- Two years on Spectra[®], Esprit[®], ExSite[™], and PS20 scanners, including when used in continuous motion applications.
- Two years on Esprit[®] and WW5700 Series window wiper (excluding wiper blades).
- Eighteen months on DX Series digital video recorders, NVR300 Series network video recorders, and Endura[™] Series distributed network-based video products.
- One year (except video heads) on video cassette recorders (VCRs). Video heads will be covered for a period of six months.
- Six months on all pan and tilts, scanners or preset lenses used in continuous motion applications (that is, preset scan, tour and auto scan modes).

Pelco will warrant all replacement parts and repairs for 90 days from the date of Pelco shipment. All goods requiring warranty repair shall be sent freight prepaid to Pelco, Clovis, California. Repairs made necessary by reason of misuse, alteration, normal wear, or accident are not covered under this warranty.

Pelco assumes no risk and shall be subject to no liability for damages or loss resulting from the specific use or application made of the Products. Pelco's liability for any claim, whether based on breach of contract, negligence, infringement of any rights of any party or product liability, relating to the Products shall not exceed the price paid by the Dealer to Pelco for such Products. In no event will Pelco be liable for any special, incidental or consequential damages (including loss of use, loss of profit and claims of third parties) however caused, whether by the negligence of Pelco or otherwise.

The above warranty provides the Dealer with specific legal rights. The Dealer may also have additional rights, which are subject to variation from state to state.

If a warranty repair is required, the Dealer must contact Pelco at (800) 289-9100 or (559) 292-1981 to obtain a Repair Authorization number (RA), and provide the following information:

1. Model and serial number
2. Date of shipment, P.O. number, Sales Order number, or Pelco invoice number
3. Details of the defect or problem

If there is a dispute regarding the warranty of a product which does not fall under the warranty conditions stated above, please include a written explanation with the product when returned. Method of return shipment shall be the same or equal to the method by which the item was received by Pelco.

RETURNS

In order to expedite parts returned to the factory for repair or credit, please call the factory at (800) 289-9100 or (559) 292-1981 to obtain an authorization number (CA number if returned for credit, and RA number if returned for repair).

All merchandise returned for credit may be subject to a 20% restocking and refurbishing charge.

Goods returned for repair or credit should be clearly identified with the assigned CA or RA number and freight should be prepaid. Ship to the appropriate address below.

If you are located within the continental U.S., Alaska, Hawaii or Puerto Rico, send goods to:

Service Department
Pelco
3500 Pelco Way
Clovis, CA 93612-5699

If you are located outside the continental U.S., Alaska, Hawaii or Puerto Rico and are instructed to return goods to the USA, you may do one of the following:

If the goods are to be sent by a COURIER SERVICE, send the goods to:

Pelco
3500 Pelco Way
Clovis, CA 93612-5699 USA

If the goods are to be sent by a FREIGHT FORWARDER, send the goods to:

Pelco c/o Expeditors
473 Eccles Avenue
South San Francisco, CA 94080 USA
Phone: 650-737-1700
Fax: 650-737-0933

Pelco, the Pelco logo, Camclosure, Esprit, Genex, Legacy, and Spectra are registered trademarks of Pelco.
Endura and ExSite are trademarks of Pelco.

© Copyright 1998, Pelco. All rights reserved.